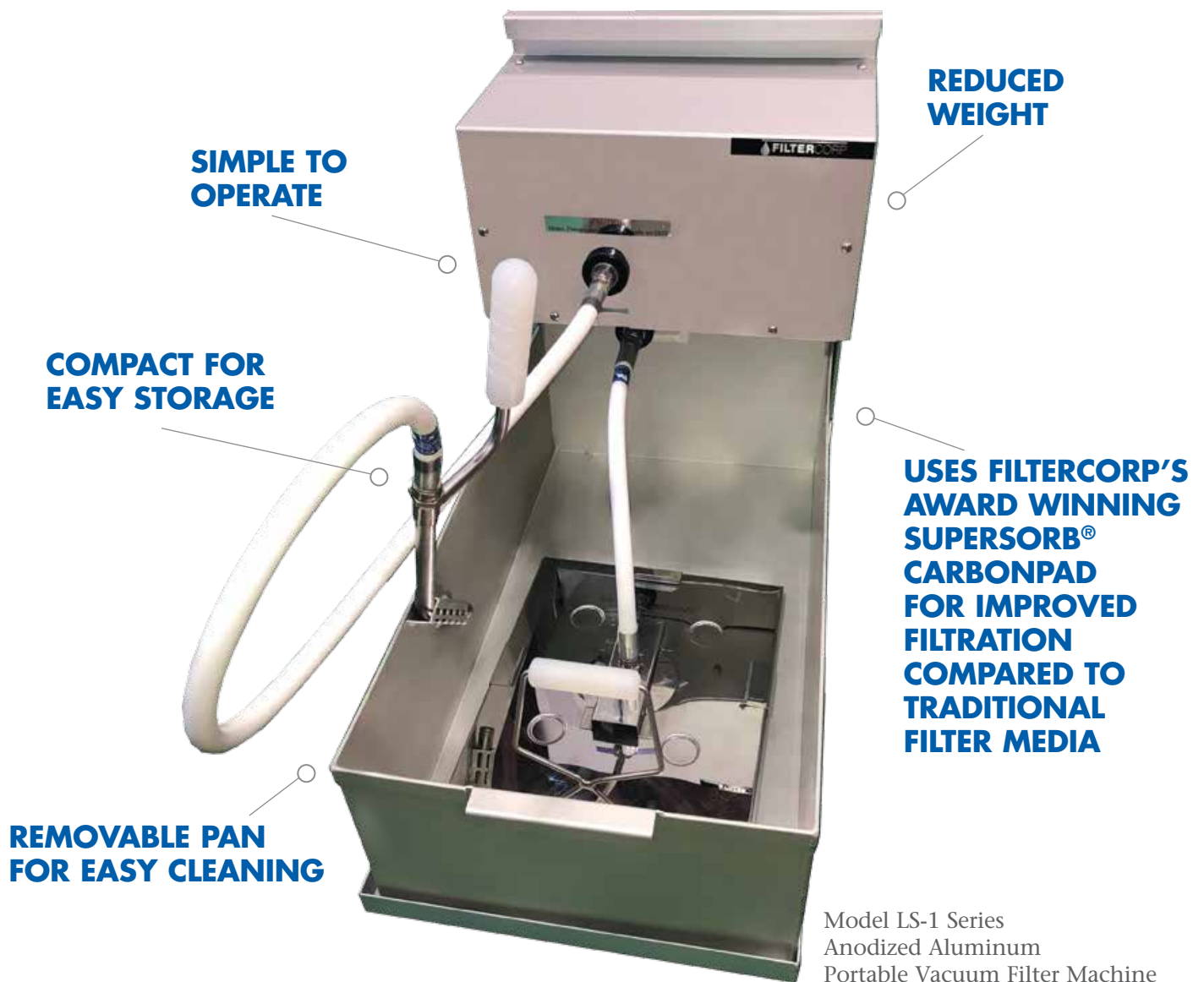


Is your fry oil getting the treatment needed to maximize fry oil quality?

Look to Filtercorp for a return on investment in oil savings.

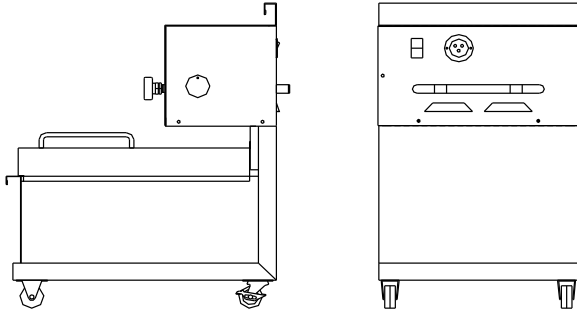




*Bottom line,
Your Proven Profit Multiplier.*

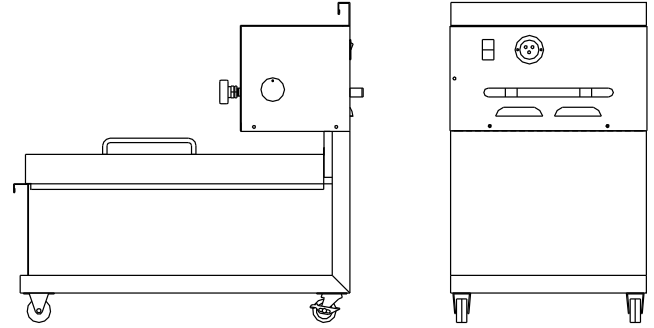
Model LS-1 Series Dimensions and Specifications

Dimensions for LS-1-60



Weight	64 Lbs.
Overall Dimensions	16.75" wide x 23.75" deep x 27.25" high
Pan Height	11.75"
Total Pan Capacity	1.63 cubic feet or 12.1 gallons
Oil Capacity	60 Lbs. of oil or 7.7 gallons
Pump/Motor	Haight 5E Hot Oil Hub Mount Pump, Capacity: 4.6 GPM at 1750 RPM, 1/3 HP Capacitor Start, Rotary Gear, Positive Displacement Pump, 115 Volt, 6.2 Amperes, 60-Cycle Motor
Electrical Plug Material	Standard 3 wire, 110 Volt Plug-In Cord (12 feet in length) 0.090 Anodized Aluminum

Dimensions for LS-1-100



Weight	83.5 Lbs.
Overall Dimensions	16.75" wide x 33.5" deep x 27.25" high
Pan Height	11.75"
Total Pan Capacity	2.52 cubic feet or 18.7 gallons
Oil Capacity	115 Lbs. of oil or 14.7 gallons
Pump/Motor	Haight 5E Hot Oil Hub Mount Pump, Capacity: 4.6 GPM at 1750 RPM, 1/3 HP, Capacitor Start, Rotary Gear, Positive Displacement Pump, 115 volt, 6.2 Amperes, 60-Cycle Motor
Electrical Plug Material	Standard 3 wire, 110 Volt Plug-In Cord (12 feet in length) 0.090 Anodized Aluminum

Proven!

No polishing
Less oil usage
Reduced labor
Fewer change-outs
Consistent food quality

Increased profit



FILTERCORP

9805 NE 116th Street
PMB A-200
Kirkland, WA 98034
USA

Toll Free: (800) 473-4526
Telephone: (425) 820-4850
Fax: (425) 820-2816
Web: www.filtercorp.com



www.filtercorp.com